



K-WALL2L

USER GUIDE
English

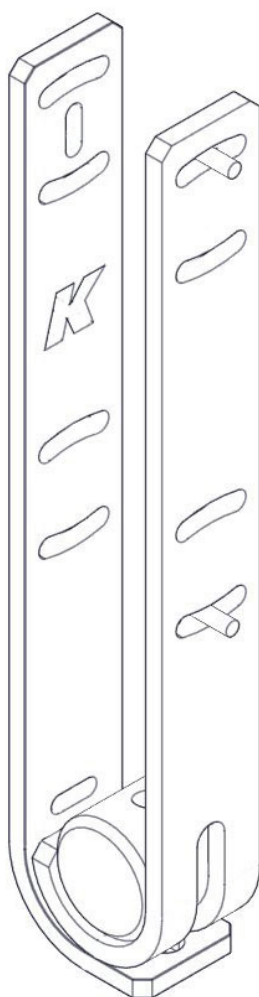
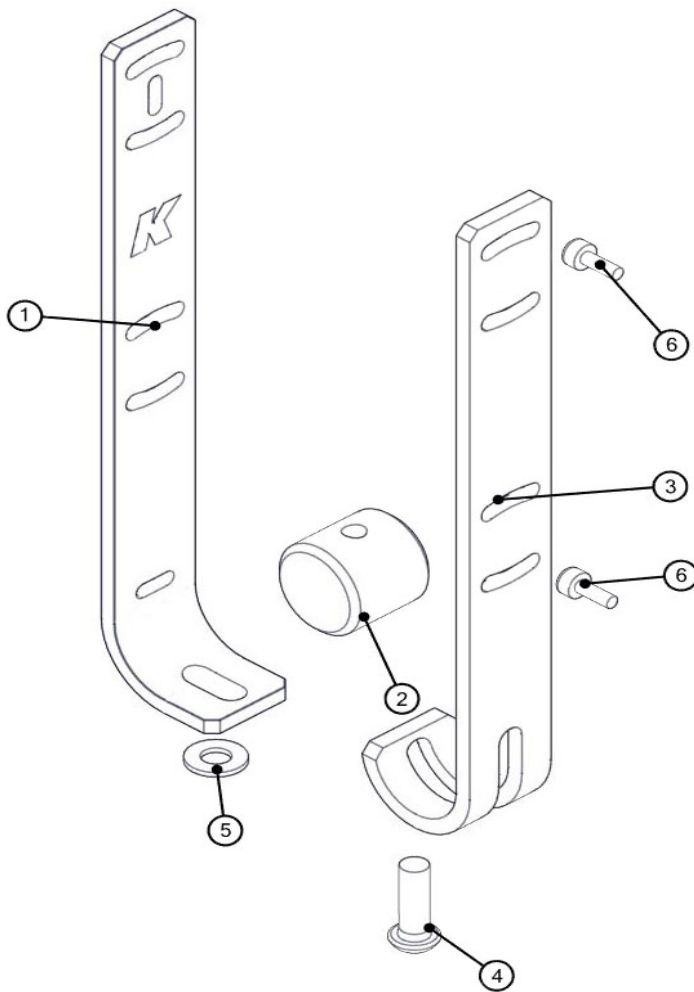


TABLE OF CONTENTS

1. K-WALL2L	
1.1 Packaging.....	3
1.2 Safety Precautions.....	3
2. PSYSICAL.....	4
3. INTRODUCTION.....	4
4. ASSEMBLY	5
4.1 Configuration Assembly 1.....	5
4.2 Configuration Assembly 2.....	6
5.DIMENSIONS	8
6.DECLARATION OF CONFORMITY.....	9

1.1 PACKAGING

Please verify the shipment for completeness and proper condition of the items.



ID	Description	Q.ty
1	Wall Bracket	1
2	Rotation Pivot	1
3	Speaker Bracket	1
4	M8 x 25 Botton Head Hex Socket Screw	1
5	M8 Washer	1
6	M5 x 12 Botton Head Hex Socket Screw	1

1.2 SAFETY PRECAUTIONS

Installation and setup should only be carried out by qualified personal.

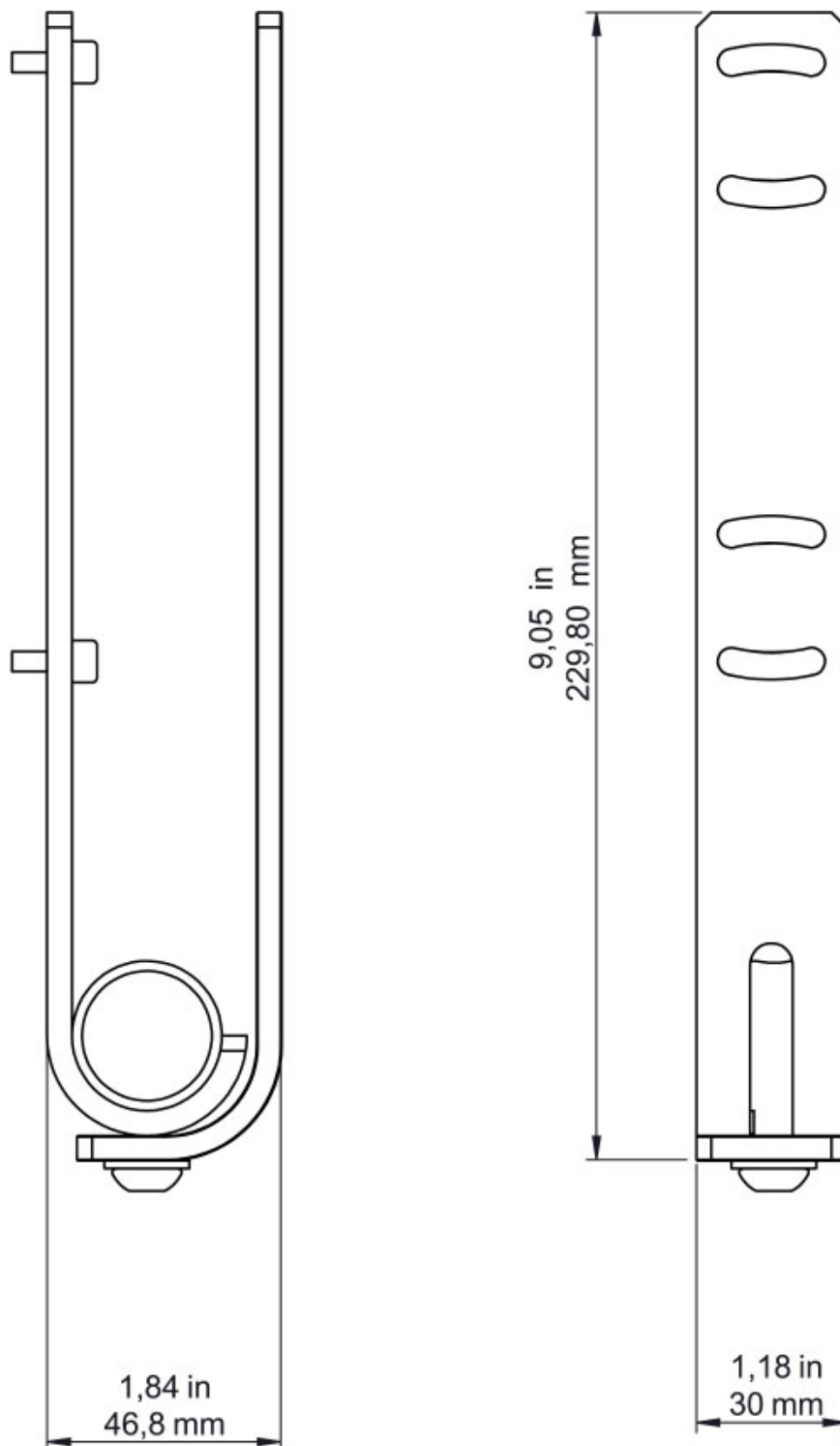
It is the responsibility of the person installing the assembly to ensure that the suspension/fixing points are suitable for the intended use.

Always carry out a visual and funcional inspection of the items before use. In case there is any doubt as to the proper functioning and safety of the items, these must be withdrawn from use immediately.

Only use mounting parts (fixing anchors and screw) that are suitable for the intended application.

Before mounting the K-WALL2L on any K-array speaker, please read carefully the speaker's User Guide for checking the fixing points and the available configurations.

2. PHYSICAL

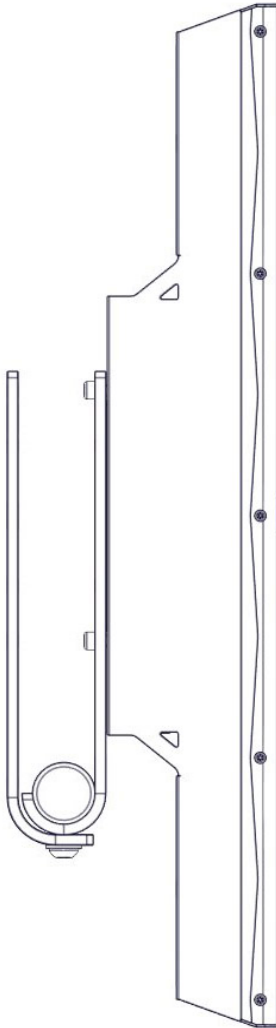


Weight: 0,6 kg (1,3 lb)

3. INTRODUCTION

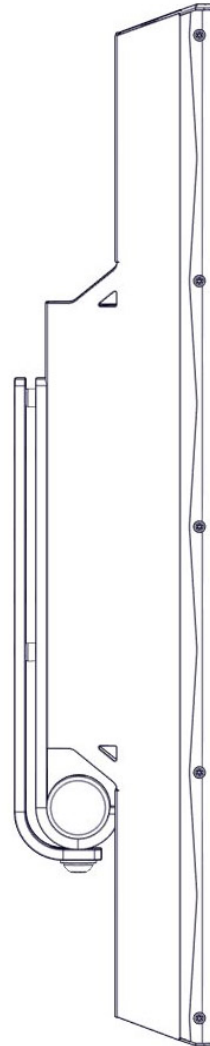
K-WALL2L accessory is a bracket used to hang several K-array speakers on the wall.
The two brackets can be mounted with two different configurations, as shown in the pictures below:

Configuration 1



First configuration has an excursion range between wall and speaker from 45mm to a 65 mm.

Configuration 2



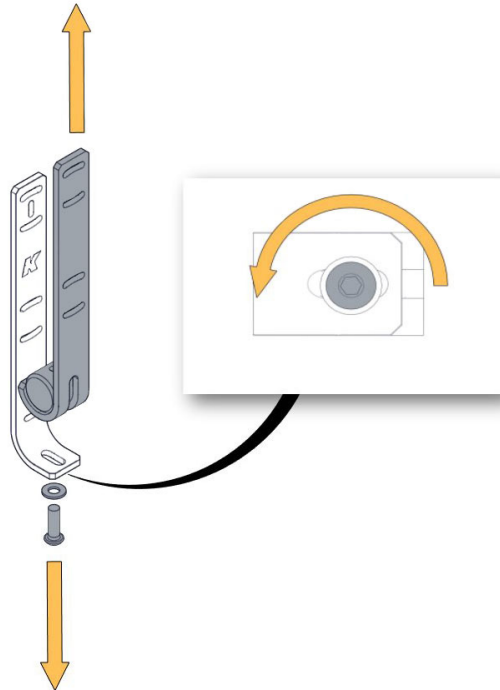
Second configuration the device will have a fixed location with the advantage of a greatly reduced distance from the wall suspension

NOTE: The KK52 Speaker shown in these pages is use for illustrative purposes. Please refer to your speaker's user guide for checking the fixing points and the available configurations.

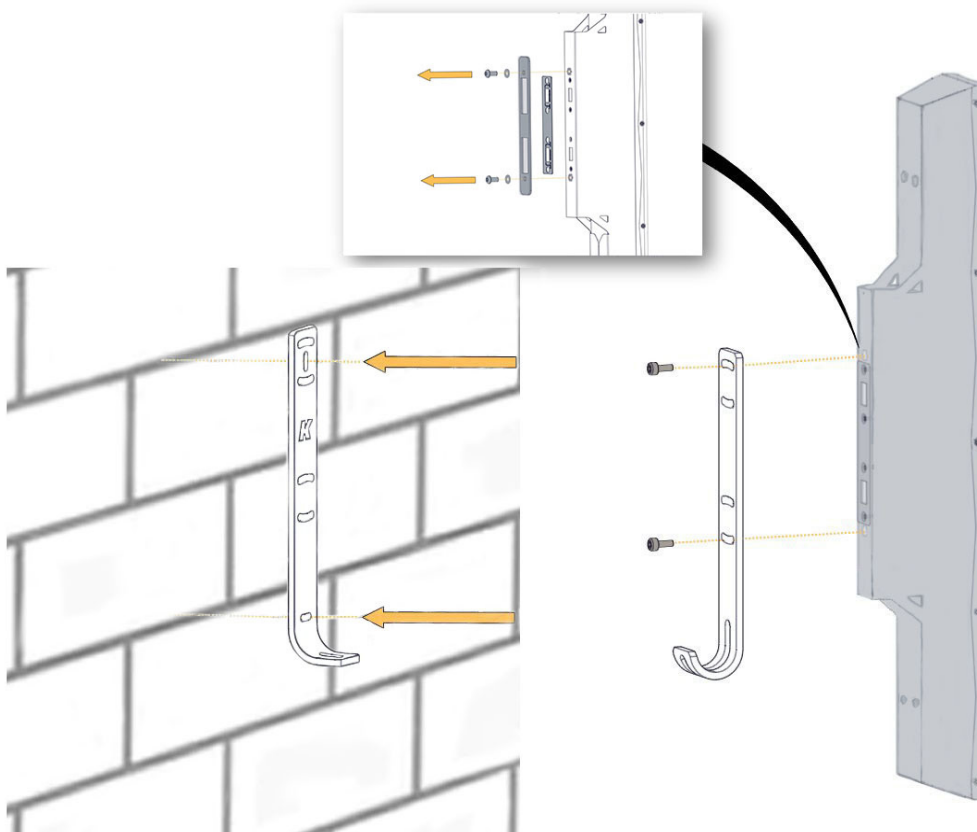
4.1 CONFIGURATION ASSEMBLY 1

You will find the K-WALL2L mounted in the packaging box. Follow the below instructions for assembling the device.

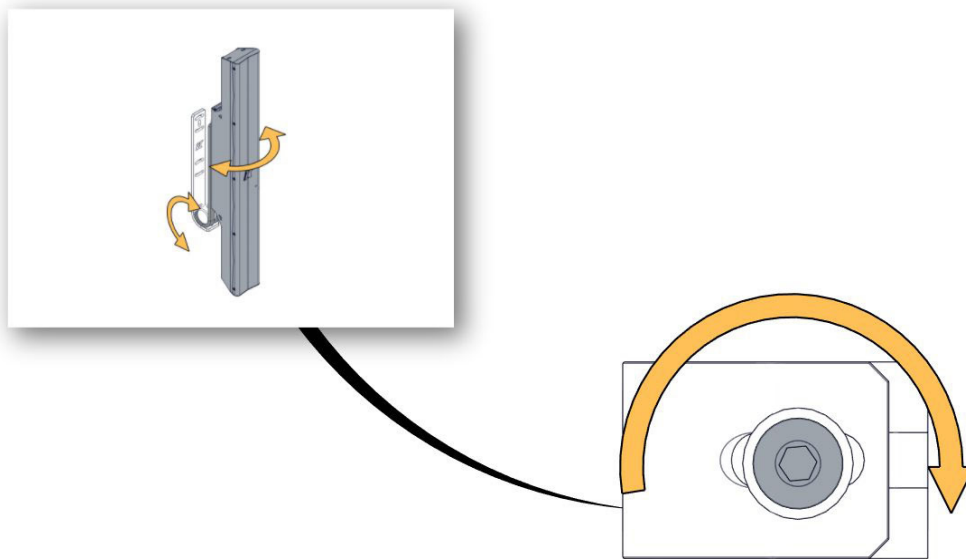
1. Unscrew the two body brackets.



2. Combine the two body brackets.

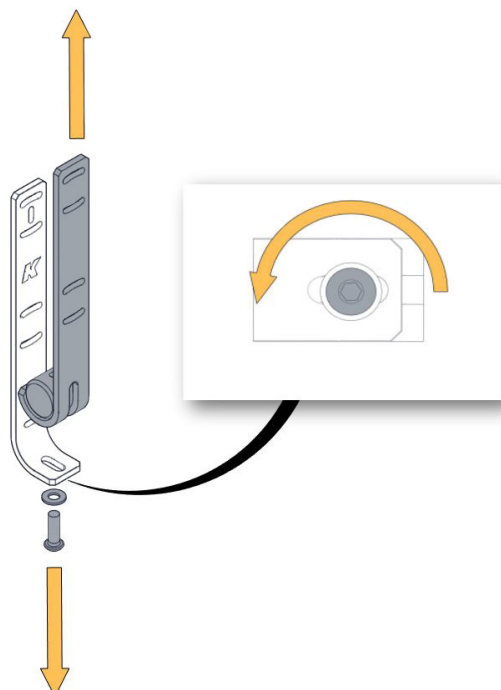


3. Position the K-array speaker and make sure to turn the clamping screw.

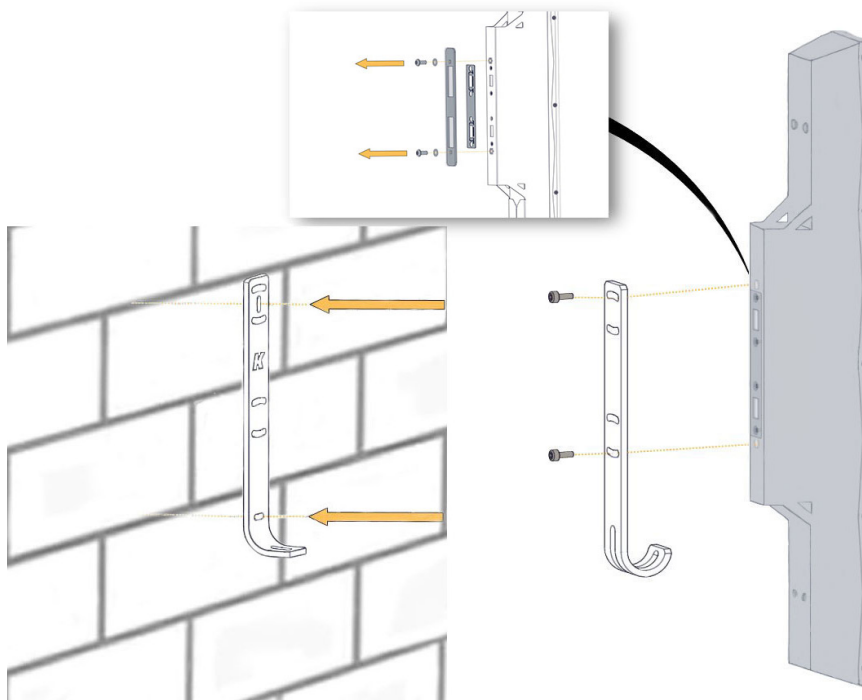


4.2 CONFIGURATION ASSEMBLY 2

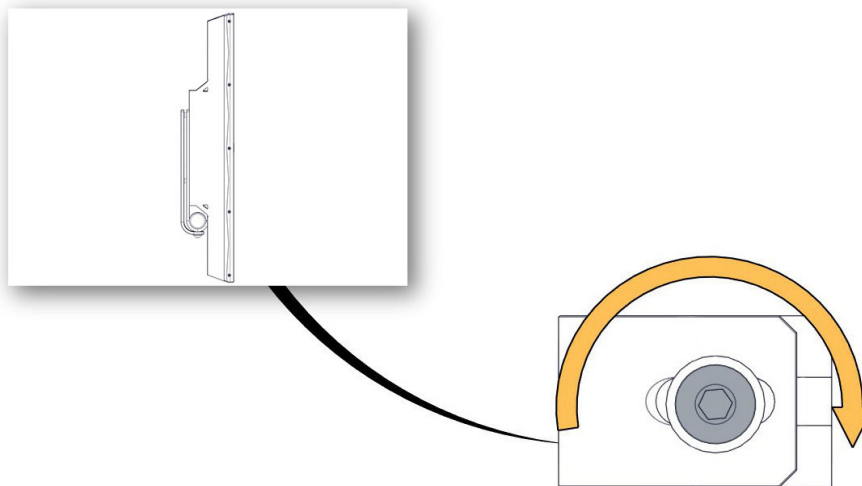
1. Unscrew the two body brackets.



2. If there isn't a regulation needed, rotate 180° the speaker bracket.



3. Position the K-array speaker and make sure to turn the clamping screw.

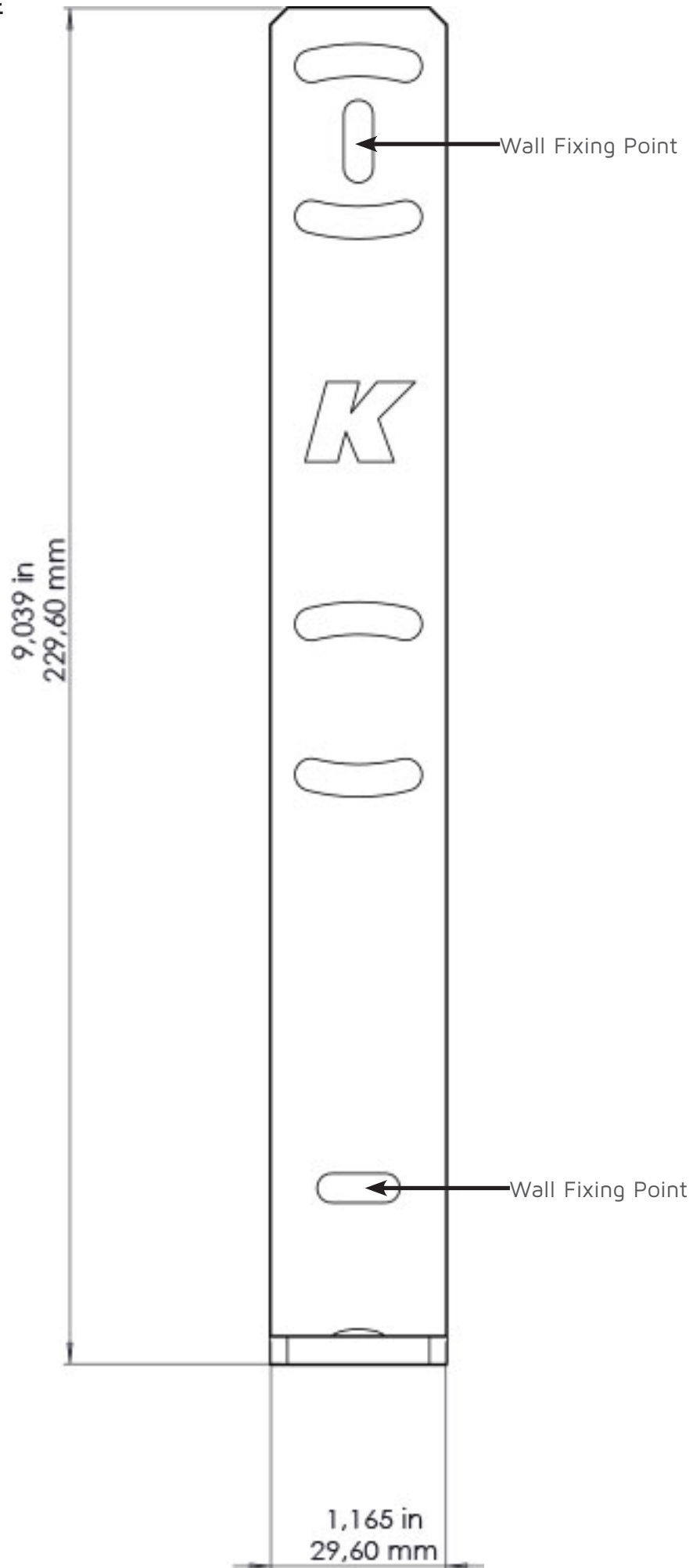


WARNING

Before Installation, please read carefully your speaker's user guide downloadable from our website www.K-array.com



5. WALL GUIDE TEMPLATE



6. DECLARATION OF CONFORMITY



DECLARATION OF CONFORMITY

Manufacturer/Importer: K-array s.u.r.l.

Brand: **K-ARRAY**
Address: via Paolina Romagnoli 17 50037 S. Piero a Sieve Firenze ITALY

Date of Issue: 14 / 03 / 12

Model Code: **K-KWALL2L**

Declaration: Complies with safety essential requirements of Council Directive 2006/42/EC on the approximation of the Laws of the Member States relating to lifting of groups of Cases.

This declaration applies to all specimens manufactured in accordance with the attached manufacturing drawings which form part of this declaration. Assessment of compliance of the product with the requirements was based on the following standards:

EN 13155:2009

Marking:



Applying Year: **2012**

Applied by: **K-array s.u.r.l.**
 Via Paolina Romagnoli 17
 50037 S. Piero a Sieve
 Firenze Italy
 Tel. +39 055 8487222
 Fax +39 055 8487238

Signed by: **Franco Spataro**
 Technical Manager

K-array s.r.l. a socio unico società soggetta alla attività di direzione e coordinamento di HP Sound Equipment srl
 P. IVA / VAT / CF 06206990480 - R.E.A. 609589 Cap. soc. i.v. € 100.000,00

Sede legale: via Paolina Romagnoli 50037 San Piero a Sieve - Firenze - ITALY tel +39 055 8487222 fax +39 055 8487238 info@k-array.com www.k-array.com

The contents of this manual are furnished for informational purposes only. K-array s.u.r.l. assumes no responsibility for any errors or inaccuracies that may appear in this manual. K-array s.u.r.l. reserves the right to make modifications without prior notice.